

02

FDM MAGNETIC SLUDGE FILTERS

for filtering water in heating loops

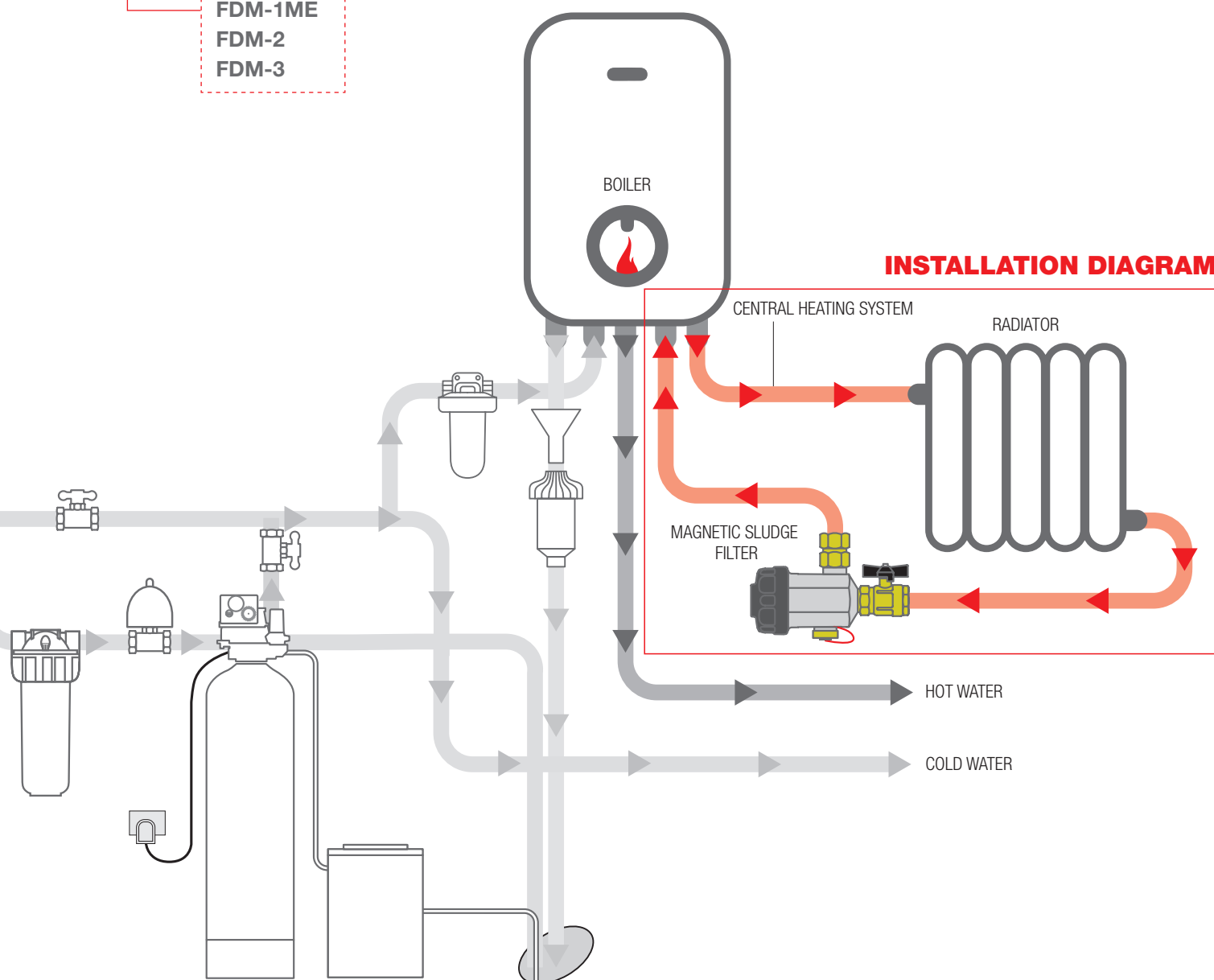
For heating systems that are **ALWAYS CLEAN** and boilers that are **ALWAYS EFFICIENT**

BENEFITS

- No more impurities and less risk of corrosion
- Continuous boiler protection
- Improved system efficiency
- Extremely versatile installation
- Quick and easy maintenance
- Complete with connection fittings
- No additional running costs

THE RANGE

- FDM-1P
- FDM-1ME
- FDM-2
- FDM-3





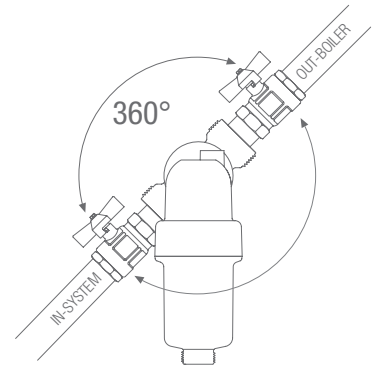
FDM-3

Follows all pipe slopes

FOR DOMESTIC BOILERS with power up to 35 KW

The FDM-3 magnetic sludge filter adapts to all requirements. Thanks to a special rotary fitting, it can be installed in sloping pipes and can even compensate for misalignment. A larger magnet and magnet holder than on the FDM-1P remove a greater quantity of magnetic particles. Also included:

- **Metal clip** for quicker removal and cleaning.
- **Threaded end cap** for bleeding and adding chemical additives for system protection and/or maintenance.



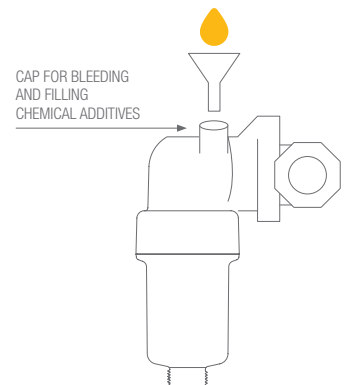
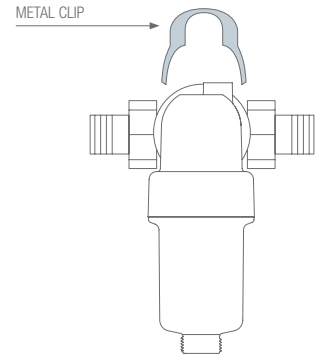
OPERATING CONDITIONS

Compatible fluids: water, water + glycol
 Max. operating pressure: 3 bar at 90°C (43 psi at 194°F)
 Operating temperature: 4 to 90°C (39.2 to 194°F)

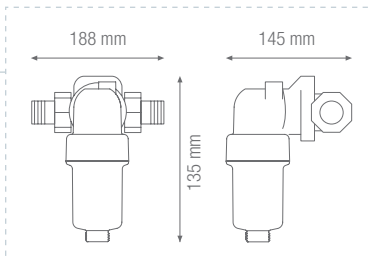
TECHNICAL SPECIFICATIONS

Fully rotatable plastic fittings, 3/4" and 1": Reinforced PA66 polyamide
 Body: Reinforced PA66 polyamide
 Filter cartridge: AISI 304 L stainless steel
 Filtration rating: 500 µm
 O-rings: EPDM
 Drain plug: CW 614 N brass - 3/4"
 Magnet: NdFeB - 4500 Gauss
 Magnet housing: CW 617 N brass / AISI 304 stainless steel
 Magnet holder: Polypropylene
 Bleed / filling cap: CW 614 N brass
 Locking clip / fork: AISI 304 stainless steel

CODE	MODEL	IN/OUT FITTINGS
RE6170130	FDM-3	3/4" - 1" PLASTIC



DIMENSIONS



FDM-3



OPTIONAL ACCESSORY

3/4" F-F 90° valve
CODE AA7120045

